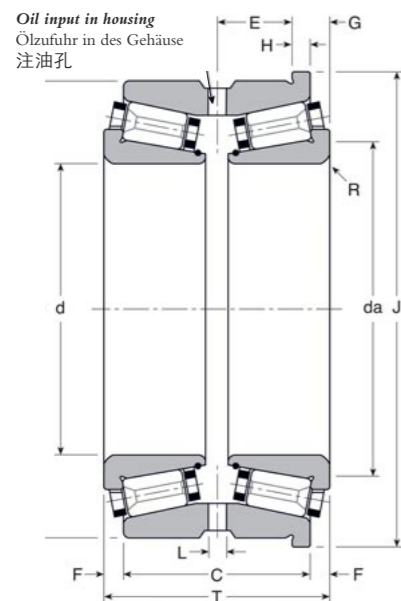




55

FLANGED CUP (H TYPE)
AUSSENRING MIT BUND (TYP H)
法兰杯 (H型)

FLANGED CUP (H TYPE)
AUSSENRING MIT BUND (TYP H)
法兰杯 (H型)



- da - Recommended shaft abutment diameter
empfohlener Durchmesser des Wellen-Widerlagers
推荐的轴肩直径
- L - 6 equally spaced holes (diameter)
6 Bohrungen am Umfang
6个等间距孔(直径)
- ‡ - Static Stiffness
Statische Steifigkeit
静刚度
- * - Basic Rating 10,000hrs@500rpm
Belastung 10,000h@500U/min
基本额定寿命10000 hrs @500rpm

Manufacturing Tolerances
Fertigungstoleranzen
制造公差

	d ≤ 180mm	d > 180mm
Bore 孔 d	+0,005 0	+0,010 0
Diameter 直径 D	+0,005 0	+0,010 0
Width 宽度 G	±0,25	±0,25
Overall width 总宽度 T	±0,50	±0,50
Flange diameter 法兰直径 J	0 -0,10	0 -0,10
Flange width 法兰宽度 H	±0,05	±0,05

d	D	T	C	E	F	G	H	J	da	L	R	Weight Gew. 重量 kg	‡		*		Speed rpm Drehzahl U/min 转速 rpm max	Bearing Number Kurzzeichen 轴承编号	
													daN/μ		daN			Cone Innenring 内圈	Cup Aussering 外圈
													Rad.	Axi.	Rad.	Axi.			
25,000	52,000	43,00	36,50	15,25	3,25	6,25	3,00	55,00	34	5	1,50	0,480	54	4	850	210	13300	74025 / 74052H	
30,000	62,000	51,00	42,50	17,25	4,25	8,25	4,00	66,00	40	5	1,50	0,660	84	7	1250	345	11600	70030 / 70062H	
30,000	66,675	52,00	42,48	17,24	4,76	8,76	4,00	70,67	44	5	1,50	0,800	84	7	1410	405	10400	80030 / 80066XH	
30,000	68,000	52,00	42,48	17,24	4,76	8,76	4,00	72,00	44	5	1,50	0,800	84	7	1410	405	10400	80030 / 80068H	
31,750	72,000	57,00	46,50	19,25	5,25	9,25	4,00	76,00	45	5	2,00	0,860	94	7	2045	545	9600	100031X / 100072H	
31,750	76,200	57,00	46,50	19,25	5,25	9,25	4,00	76,20	45	5	2,00	0,860	94	7	2045	545	9600	100031X / 100076XH	
31,750	80,000	57,00	46,50	19,25	5,25	9,25	4,00	84,00	45	5	2,00	0,860	94	7	2045	545	9600	100031X / 100080H	
33,338	66,675	52,00	42,48	17,24	4,76	8,76	4,00	70,67	44	5	1,50	0,800	84	7	1410	405	10400	80033X / 80066XH	
33,338	68,000	52,00	42,48	17,24	4,76	8,76	4,00	72,00	44	5	1,50	0,800	84	7	1410	405	10400	80033X / 80068H	
34,925	72,000	57,00	46,50	19,25	5,25	9,25	4,00	76,00	45	5	2,00	0,860	94	7	2045	545	9600	100034X / 100072H	
34,925	76,200	57,00	46,50	19,25	5,25	9,25	4,00	76,20	45	5	2,00	0,860	94	7	2045	545	9600	100034X / 100076XH	
34,925	80,000	57,00	46,50	19,25	5,25	9,25	4,00	84,00	45	5	2,00	0,860	94	7	2045	545	9600	100034X / 100080H	
35,000	66,675	52,00	42,48	17,24	4,76	8,76	4,00	70,67	44	5	1,50	0,740	84	7	1410	405	10400	80035 / 80066XH	
35,000	72,000	57,00	46,50	19,25	5,25	9,25	4,00	76,00	45	5	2,00	0,855	94	7	2045	545	9600	100035 / 100072H	
35,000	76,200	57,00	46,50	19,25	5,25	9,25	4,00	76,20	45	5	2,00	0,860	94	7	2045	545	9600	100035 / 100076XH	
35,000	80,000	57,00	46,50	19,25	5,25	9,25	4,00	84,00	45	5	2,00	0,860	94	7	2045	545	9600	100035 / 100080H	
36,000	72,000	42,00	36,50	14,25	2,75	6,75	4,00	76,00	48	5	3,50	0,595	56	5	1280	350	9600	102036 / 102072H	
38,100	76,000	57,00	45,50	18,75	5,75	9,75	4,00	80,00	52	5	2,00	0,865	102	9	2175	630	8800	101038X / 101076H	
38,100	76,200	57,00	45,50	18,75	5,75	9,75	4,00	80,20	52	5	2,00	0,865	102	9	2175	630	8800	101038X / 101076XH	
38,100	80,000	57,00	45,50	18,75	5,75	9,75	4,00	84,00	52	5	2,00	0,865	102	9	2175	630	8800	101038X / 101080H	
40,000	76,000	57,00	45,50	18,75	5,75	9,75	4,00	80,00	52	5	2,00	0,865	102	9	2175	630	8800	101040 / 101076H	
40,000	76,200	57,00	45,50	18,75	5,75	9,75	4,00	80,20	52	5	2,00	0,865	102	9	2175	630	8800	101040 / 101076XH	
40,000	80,000	57,00	45,50	18,75	5,75	9,75	4,00	84,00	52	5	2,00	1,070	102	9	2175	630	8800	101040 / 101080H	
40,000	85,000	55,00	48,66	19,57	3,17	7,93	4,76	89,76	55	6	2,00	1,130	88	7	2190	600	8200	112040 / 112085H	
41,275	76,000	57,00	45,50	18,75	5,75	9,75	4,00	80,00	52	5	2,00	0,865	102	9	2175	630	8800	101041X / 101076H	
41,275	76,200	57,00	45,50	18,75	5,75	9,75	4,00	80,20	52	5	2,00	0,865	102	9	2175	630	8800	101041X / 101076XH	
41,275	80,000	57,00	45,50	18,75	5,75	9,75	4,00	84,00	52	5	2,00	0,865	102	9	2175	630	8800	101041X / 101080H	
41,275	85,000	55,00	48,66	19,57	3,17	7,93	4,76	89,76	55	6	2,00	1,110	88	7	2190	600	8200	112041X / 112085H	
44,450	85,000	55,00	48,66	19,57	3,17	7,93	4,76	89,76	55	6	2,00	1,110	88	7	2190	600	8200	112044X / 112085H	
44,450	85,000	62,00	55,66	23,07	3,17	7,93	4,76	89,76	55	6	2,00	1,190	112	9	2680	730	8200	119044X / 119085H	
44,450	88,900	62,00	55,66	23,07	3,17	7,93	4,76	93,66	55	6	2,00	1,190	112	9	2680	730	8200	119044X / 119088XH	
44,450	90,000	64,00	51,30	20,89	6,35	11,11	4,76	94,76	62	7	2,00	1,380	120	11	2805	830	7400	111044X / 111090H	
44,450	93,266	64,00	51,30	20,89	6,35	11,11	4,76	98,00	62	7	2,00	1,380	120	11	2805	830	7400	111044X / 111093XH	
45,000	85,000	55,00	48,66	19,57	3,17	7,93	4,76	89,76	55	6	2,00	1,110	88	7	2190	600	8200	112045 / 112085H	
45,000	85,000	62,00	55,66	23,07	3,17	7,93	4,76	89,76	55	6	2,00	1,190	112	9	2680	730	8200	119045 / 119085	
45,000	88,900	62,00	55,66	23,07	3,17	7,93	4,76	93,66	55	6	2,00	1,190	112	9	2680	730	8200	119045 / 119088XH	
50,000	90,000	64,00	51,30	20,89	6,35	11,11	4,76	94,76	62	7	3,00	1,380	120	11	2805	830	7400	111050 / 111090H	
50,000	93,266	64,00	51,30	20,89	6,35	11,11	4,76	98,00	62	7	2,00	1,380	120	11	2805	830	7400	111050 / 111093XH	
50,000	96,838	65,00	54,00	22,50	5,50	10,00	4,50	101,34	70	7	2,00	2,005	136	13	3070	990	6900	110050 / 110096XH	
50,000	98,425	65,00	54,00	22,50	5,50	10,00	4,50	102,93	70	7	2,00	2,005	136	13	3070	990	6900	110050 / 110098XH	
50,000	100,000	65,00	54,00	22,50	5,50	10,00	4,50	104,50	70	7	2,00	2,005	136	13	3070	990	6900	110050 / 110100H	
50,800	90,000	64,00	51,30	20,89	6,35	11,11	4,76	94,76	62	7	2,00	1,380	120	11	2805	830	7400	111050X / 111090H	
50,800	96,838	65,00	54,00	22,50	5,50	10,00	4,50	101,34	70	7	2,00	2,005	136	13	3070	990	6900	110050X / 110096XH	
50,800	98,425	65,00	54,00	22,50	5,50	10,00	4,50	102,93	70	7	2,00	2,005	136	13	3070	990	6900	110050X / 110098XH	
50,800	100,000	65,00	54,00	22,50	5,50	10,00	4,50	104,50	70	7	2,00	2,005	136	13	3070	990	6900	110050X / 110100H	
53,975	96,838	65,00	54,00	22,50	5,50	10,00	4,50	101,34	70	7	2,00	2,005	136	13	3070	990	6900	110053X / 110096XH	
53,975	98,425	65,00	54,00	22,50	5,50	10,00	4,50	102,93	70	7	2,00	2,005	136	13	3070	990	6900	110053X / 110098XH	
53,975	100,000	65,00	54,00	22,50	5,50	10,00	4,50	104,50	70	7	2,00	2,005	136	13	3070	990	6900	110053X / 110100H	
55,000	96,838	65,00	54,00	22,50	5,50	10,00	4,50	101,34	70	7	2,00	2,005	136	13	3070	990	6900	110055 / 110096XH	
55,000	98,425	65,00	54,00	22,50	5,50	10,00	4,50	102,93	70	7	2,00	2,005	136	13	3070	990	6900	110055 / 110098XH	

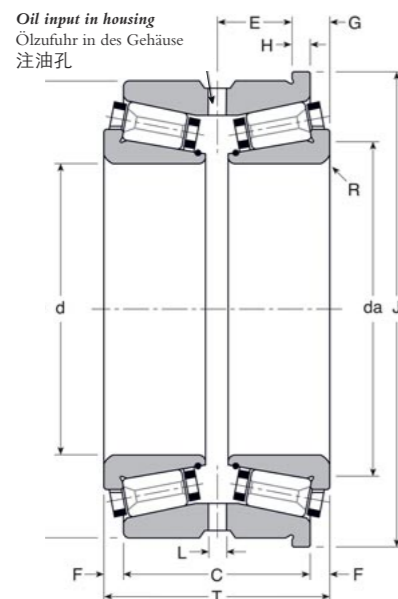
Important note: For double row bearings the bore of the rear cone (marked 'B' track) is 0,002 to 0,004 mm larger than the 'A' track cone bore. This reduces the level of tight fit to facilitate adjustment of the bearing.

Wichtiger Hinweis: Bei zweireihigen Lagern ist die Bohrung des hinteren Innenrings (Markierung 'B'-Laufbahn) 0,002 bis 0,004mm grösser als die Bohrung der 'A'-Laufbahn. Dies erweitert den Sitz der Passung und erleichtert das Einstellen des Lagers.

注意事项
双列轴承的后锥环的内径(标注'B')比标注'A'的锥环内径大0.002至0.004毫米。它降低了配合紧密度,便于轴承的调节。

FLANGED CUP (H TYPE)
AUSSENRING MIT BUND (TYP H)
法兰杯 (H型)

FLANGED CUP (H TYPE)
AUSSENRING MIT BUND (TYP H)
法兰杯 (H型)



- da - Recommended shaft abutment diameter
empfohlener Durchmesser des Wellen-Widerlagers
推荐的轴肩直径
- L - 6 equally spaced holes (diameter)
6 Bohrungen am Umfang
6个等间距孔(直径)
- ‡ - Static Stiffness
Statische Steifigkeit
静刚度
- * - Basic Rating 10,000hrs@500rpm
Belastung 10,000h@500U/min
基本额定寿命10000 hrs @500rpm

Manufacturing Tolerances
Fertigungstoleranzen
制造公差

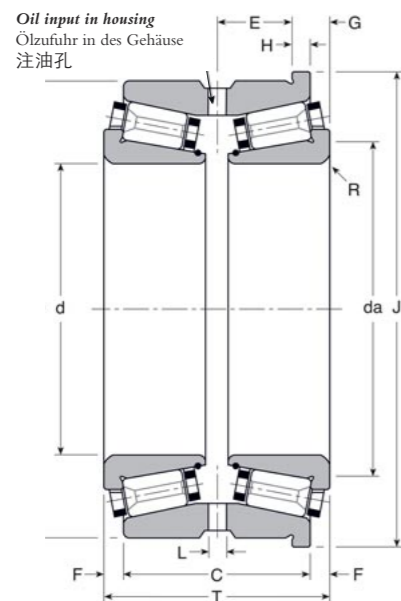
	d ≤ 180mm	d > 180mm
Bore 孔 d	+0,005 0	+0,010 0
Diameter 直径 D	+0,005 0	+0,010 0
Width 宽度 G	±0,25	±0,25
Overall width 总宽度 T	±0,50	±0,50
Flange diameter 法兰直径 J	0 -0,10	0 -0,10
Flange width 法兰宽度 H	±0,05	±0,05

d	D	T	C	E	F	G	H	J	da	L	R	Weight Gew. 重量 kg	‡		*		Speed rpm Drehzahl U/min 转速 rpm max	Bearing Number Kurzzeichen 轴承编号		
													daN/μ		daN			Cone Innenring 内圈	Cup Ausseiring 外圈	
													Rad.	Axi.	Rad.	Axi.				
55,000	100,000	65,00	54,00	22,50	5,50	10,00	4,50	104,50	70	7	2,00	1,825	136	13	3070	990	6900	110055	/	110100H
57,150	96,838	65,00	54,00	22,50	5,50	10,00	4,50	101,34	70	7	2,00	2,005	136	13	3070	990	6900	110057X	/	110096XH
57,150	96,838	65,00	54,00	22,50	5,50	10,00	4,50	102,93	70	7	2,00	2,005	136	13	3070	990	6900	110057X	/	110098XH
57,150	100,000	65,00	54,00	22,50	5,50	10,00	4,50	104,50	70	7	2,00	2,005	136	13	3070	990	6900	110057X	/	110100H
57,150	100,000	58,00	46,88	18,94	5,56	10,06	4,50	104,50	72	7	2,00	1,900	136	13	3085	1020	6600	113057X	/	113100H
57,150	101,600	58,00	46,88	18,94	5,56	10,06	4,50	106,10	72	7	2,00	1,900	136	13	3085	1020	6600	113057X	/	113101XH
57,150	110,000	73,00	60,30	25,39	6,35	11,11	4,76	114,76	75	8	2,50	2,470	156	11	3815	950	6200	120057X	/	120110H
57,150	112,712	73,00	60,30	25,39	6,35	11,11	4,76	117,47	75	8	2,50	2,470	156	11	3815	950	6200	120057X	/	120112XH
60,000	100,000	58,00	46,88	18,94	5,56	10,06	4,50	104,50	72	7	2,00	1,900	136	13	3085	1020	6600	113060	/	113100H
60,000	101,600	58,00	46,88	18,94	5,56	10,06	4,50	106,10	72	7	2,00	1,900	136	13	3085	1020	6600	113060	/	113101XH
60,000	110,000	73,00	60,30	25,39	6,35	11,11	4,76	114,76	75	8	2,50	2,470	156	11	3815	950	6200	120060	/	120110H
60,000	112,712	73,00	60,30	25,39	6,35	11,11	4,76	117,47	75	8	2,50	2,470	156	11	3815	950	6200	120060	/	120112XH
60,000	120,000	71,00	59,88	24,39	5,56	11,11	5,55	125,55	84	8	2,50	2,960	164	12	4290	1100	5700	130060	/	130120H
60,000	127,000	71,00	59,88	24,39	5,56	11,11	5,55	132,55	84	8	2,50	2,960	164	12	4290	1100	5700	130060	/	130127H
60,325	100,000	58,00	46,88	18,94	5,56	10,06	4,50	104,50	72	7	2,00	1,900	136	13	3085	1020	6600	113060X	/	113100H
60,325	101,600	58,00	46,88	18,94	5,56	10,06	4,50	106,10	72	7	2,00	1,900	136	13	3085	1020	6600	113060X	/	113101XH
63,500	110,000	73,00	60,30	25,39	6,35	11,11	4,76	114,76	75	8	2,50	2,290	156	11	3815	950	6200	120063X	/	120110H
63,500	120,000	71,00	59,88	24,39	5,56	11,11	5,55	125,55	84	8	2,50	2,960	164	12	4290	1100	5700	130063X	/	130120H
63,500	127,000	71,00	59,88	24,39	5,56	11,11	5,55	132,55	84	8	2,50	2,960	164	12	4290	1100	5700	130063X	/	130127H
65,000	120,000	71,00	59,88	24,39	5,56	11,11	5,55	125,55	84	8	2,50	2,960	164	12	4290	1100	5700	130065	/	130120
65,000	127,000	71,00	59,88	24,39	5,56	11,11	5,55	132,55	84	8	2,50	2,960	164	12	4290	1100	5700	130065	/	130127H
69,850	127,000	71,00	59,88	24,39	5,56	11,11	5,55	132,55	84	8	2,50	2,960	164	12	4290	1100	5700	130069X	/	130127H
69,850	112,712	73,00	60,30	25,39	6,35	11,11	4,76	117,47	86	8	2,50	2,085	164	13	3980	1045	5800	124069X	/	124112XH
69,850	120,000	71,00	59,88	24,39	5,56	11,11	5,55	125,55	84	8	2,50	2,710	164	12	4290	1100	5700	130069X	/	130120H
69,850	120,000	89,00	73,12	30,21	7,94	14,29	6,35	126,35	84	8	3,57	2,790	216	16	5550	1405	5700	135069X	/	135120H
70,000	112,712	73,00	60,30	25,39	6,35	11,11	4,76	117,47	86	8	2,50	2,085	164	13	3980	1045	5800	124070	/	124112XH
70,000	120,000	71,00	59,88	24,39	5,56	11,11	5,55	125,55	84	8	2,50	2,700	164	12	4290	1100	5700	130070	/	130120H
70,000	127,000	71,00	59,88	24,39	5,56	11,11	5,55	132,55	84	8	2,50	2,960	164	12	4290	1100	5700	130070	/	130127H
73,025	120,000	64,00	49,70	19,30	7,15	12,70	5,55	125,55	90	8	2,50	2,350	140	12	3520	980	5500	123073X	/	123120H
73,025	120,650	64,00	49,70	19,30	7,15	12,70	5,55	126,20	90	8	2,50	2,350	140	12	3520	980	5500	123073X	/	123120XH
73,025	121,444	64,00	49,70	19,30	7,15	12,70	5,55	127,00	90	8	2,50	2,350	140	12	3520	980	5500	123073X	/	123121XH
73,025	123,825	64,00	49,70	19,30	7,15	12,70	5,55	129,37	90	8	2,50	2,350	140	12	3520	980	5500	123073X	/	123123XH
75,000	120,000	64,00	49,70	19,30	7,15	12,70	5,55	125,55	90	8	2,50	2,250	140	12	3520	980	5500	123075	/	123120H
75,000	120,650	64,00	49,70	19,30	7,15	12,70	5,55	126,20	90	8	2,50	2,250	140	12	3520	980	5500	123075	/	123120XH
75,000	121,444	64,00	49,70	19,30	7,15	12,70	5,55	127,00	90	8	2,50	2,250	140	12	3520	980	5500	123075	/	123121XH
75,000	123,825	64,00	49,70	19,30	7,15	12,70	5,55	129,37	90	8	2,50	2,250	140	12	3520	980	5500	123075	/	123123XH
75,000	127,000	73,00	60,50	24,70	6,25	11,80	5,55	132,55	92	8	2,50	3,300	180	15	4645	1260	5300	133075	/	133127H
75,000	130,000	73,00	60,50	24,70	6,25	11,80	5,55	135,55	92	8	2,50	3,300	180	15	4645	1260	5300	133075	/	133130H
75,000	133,350	73,00	60,50	24,70	6,25	11,80	5,55	138,90	92	8	2,50	3,300	180	15	4645	1260	5300	133075	/	133133XH
75,000	136,525	73,00	60,50	24,70	6,25	11,80	5,55	142,08	92	8	2,50	3,300	180	15	4645	1260	5300	133075	/	133136XH
76,200	120,000	64,00	49,70	19,30	7,15	12,70	5,55	125,55	90	8	2,50	2,250	140	12	3520	980	5500	123076X	/	123120H
76,200	120,650	64,00	49,70	19,30	7,15	12,70	5,55	126,20	90	8	2,50	2,250	140	12	3520	980	5500	123076X	/	123120XH
76,200	123,825	64,00	49,70	19,30	7,15	12,70	5,55	129,37	90	8	2,50	2,250	140	12	3520	980	5500	123076X	/	123123XH
76,200	127,000	73,00	60,50	24,70	6,25	11,80	5,55	132,55	92	8	2,50	3,300	180	15	4645	1260	5300	133076X	/	133127H
76,200	130,000	73,00	60,50	24,70	6,25	11,80	5,55	135,55	92	8	2,50	3,300	180	15	4645	1260	5300	133076X	/	133130H
76,200	133,350	73,00	60,50	24,70	6,25	11,80	5,55	138,90	92	8	2,50	3,300	180	15	4645	1260	5300	133076X	/	133133XH
76,200	136,525	73,00	60,50	24,70	6,25	11,80	5,55	142,08	92	8	2,50	3,300	180	15	4645	1260	5300	133076X	/	133136XH
77,788	120,000	64,00	49,70	19,30	7,15	12,70	5,55	125,55	90	8	2,50	2,250	140	12	3520	980	5500	123077X	/	123120H
77,788	120,650	64,00	49,70	19,30	7,15	12,70	5,55	126,20	90	8	2,50	2,250	140	12	3520	980	5500	123077X	/	123120XH
77,788	121,444	64,00	49,70	19,30	7,15	12,70	5,55	127,00	90	8	2,50	2,250	140	12	3520	980	5500	123077X	/	123121XH

Important note: For double row bearings the bore of the rear cone (marked 'B' track) is 0,002 to 0,004 mm larger than the 'A' track cone bore. This reduces the level of tight fit to facilitate adjustment of the bearing.

Wichtiger Hinweis: Bei zweireihigen Lagern ist die Bohrung des hinteren Innenrings (Markierung 'B'-Laufbahn') 0,002 bis 0,004mm grösser als die Bohrung der 'A'-Laufbahn. Dies erweitert den Sitz der Passung und erleichtert das Einstellen des Lagers.

注意事项
双列轴承的后锥环的内径(标注'B')比标注'A'的锥环内径大0.002至0.004毫米。它降低了配合紧密度,便于轴承的调节。



- da - Recommended shaft abutment diameter
empfohlener Durchmesser des Wellen-Widerlagers
推荐的轴肩直径
- L - 6 equally spaced holes (diameter)
6 Bohrungen am Umfang
6个等间距孔(直径)
- ‡ - Static Stiffness
Statische Steifigkeit
静刚度
- * - Basic Rating 10,000hrs@500rpm
Belastung 10,000h@500U/min
基本额定寿命10000 hrs @500rpm

Manufacturing Tolerances
Fertigungstoleranzen
制造公差

	d ≤ 180mm	d > 180mm
Bore 孔 d	+0,005 0	+0,010 0
Diameter 直径 D	+0,005 0	+0,010 0
Width 宽度 G	±0,25	±0,25
Overall width 总宽度 T	±0,50	±0,50
Flange diameter 法兰直径 J	0 -0,10	0 -0,10
Flange width 法兰宽度 H	±0,05	±0,05

d	D	T	C	E	F	G	H	J	da	L	R	Weight Gew. 重量 kg	‡		*		Speed rpm Drehzahl U/min 转速 rpm max	Bearing Number Kurzzeichen 轴承编号	
													daN/μ		daN			Cone Innenring 内圈	Cup Aussering 外圈
													Rad.	Axi.	Rad.	Axi.			
77,788	123,825	64,00	49,70	19,30	7,15	12,70	5,55	129,37	90	8	2,50	2,250	140	12	3520	980	5500	123077X / 123123XH	
80,000	140,000	85,00	69,14	28,22	7,93	14,28	6,35	146,34	100	8	3,00	4,545	200	15	5685	1410	4900	140080 / 140140H	
80,962	133,350	74,00	58,12	21,12	7,94	13,50	5,56	138,88	102	8	2,50	2,250	198	19	4650	1425	4900	126080X / 126133XH	
82,550	133,350	74,00	58,12	21,12	7,94	13,50	5,56	138,88	102	8	2,50	2,250	198	19	4650	1425	4900	126082X / 126133XH	
82,550	136,525	74,00	58,12	21,12	7,94	13,50	5,56	142,06	102	8	2,50	2,250	198	19	4650	1425	4900	126082X / 126136XH	
82,550	140,000	85,00	69,14	28,22	7,93	14,28	6,35	146,34	100	8	3,00	4,345	200	15	5685	1410	4900	140082X / 140140H	
84,138	133,350	74,00	58,12	21,12	7,94	13,50	5,56	138,88	102	8	2,50	2,400	198	19	4650	1425	4900	126084X / 126133XH	
84,138	136,525	74,00	58,12	21,12	7,94	13,50	5,56	142,06	102	8	2,50	2,400	198	19	4650	1425	4900	126084X / 126136XH	
85,000	140,000	85,00	69,14	28,22	7,93	14,28	6,35	146,34	100	8	3,00	4,145	200	15	5685	1410	4900	140085 / 140140H	
85,000	170,000	106,00	89,00	37,50	8,50	15,50	7,00	177,00	114	8	3,50	8,545	246	18	10640	2630	4200	210085 / 210170H	
85,725	133,350	74,00	58,12	21,12	7,94	13,50	5,56	138,88	102	8	2,50	2,400	198	19	4650	1425	4900	126085X / 126133XH	
85,725	136,525	74,00	58,12	21,12	7,94	13,50	5,56	142,06	102	8	2,50	2,400	198	19	4650	1425	4900	126085X / 126136XH	
88,900	133,350	74,00	58,12	21,12	7,94	13,50	5,56	138,88	102	8	2,50	2,400	198	19	4650	1425	4900	126088X / 126133XH	
88,900	136,525	74,00	58,12	21,12	7,94	13,50	5,56	142,06	102	8	2,50	2,400	198	19	4650	1425	4900	126088X / 126136XH	
90,000	133,350	76,00	60,12	23,71	7,94	14,29	6,35	139,70	105	8	2,50	4,000	204	19	4275	1315	4800	117090 / 117133XH	
90,000	150,000	75,00	62,00	25,00	6,50	12,50	6,00	156,00	110	8	2,50	4,745	206	20	5115	1630	4400	131090 / 131150H	
90,000	152,400	75,00	62,00	25,00	6,50	12,50	6,00	158,40	110	8	2,50	4,745	206	20	5115	1630	4400	131090 / 131152XH	
90,000	152,400	92,00	75,80	30,90	8,10	15,10	7,00	159,40	114	9	2,50	5,150	230	17	7275	1785	4300	160090 / 160152XH	
90,000	158,750	75,00	62,00	25,00	6,50	12,50	6,00	164,75	110	8	2,50	4,745	206	20	5115	1630	4400	131090 / 131158XH	
90,000	158,750	92,00	75,80	30,90	8,10	15,10	7,00	164,75	114	9	2,50	5,150	230	17	7275	1785	4300	160090 / 160158XH	
90,000	160,000	92,00	75,80	30,90	8,10	15,10	7,00	167,00	114	9	2,50	5,150	230	17	7275	1785	4300	160090 / 160160H	
90,000	161,925	92,00	75,80	30,90	8,10	15,10	7,00	168,90	114	9	2,50	5,150	230	17	7275	1785	4300	160090 / 160161XH	
90,000	170,000	106,00	89,00	37,50	8,50	15,50	7,00	177,00	114	8	3,50	8,545	246	18	10640	2630	4200	210090 / 210170H	
92,075	150,000	75,00	62,00	25,00	6,50	12,50	6,00	156,00	110	8	2,50	4,745	206	20	5115	1630	4400	131092X / 131150H	
92,075	152,400	75,00	62,00	25,00	6,50	12,50	6,00	158,40	110	8	2,50	4,745	206	20	5115	1630	4400	131092X / 131152XH	
92,075	158,750	75,00	62,00	25,00	6,50	12,50	6,00	164,75	110	8	2,50	4,745	206	20	5115	1630	4400	131092X / 131158XH	
93,663	150,000	75,00	62,00	25,00	6,50	12,50	6,00	156,00	110	8	2,50	4,745	206	20	5115	1630	4400	131093X / 131150H	
93,663	152,400	75,00	62,00	25,00	6,50	12,50	6,00	158,40	110	8	2,50	4,745	206	20	5115	1630	4400	131093X / 131152XH	
93,663	158,750	75,00	62,00	25,00	6,50	12,50	6,00	164,75	110	8	2,50	4,745	206	20	5115	1630	4400	131093X / 131158XH	
95,000	150,000	75,00	62,00	25,00	6,50	12,50	6,00	156,00	110	8	2,50	4,745	206	20	5115	1630	4400	131095 / 131150H	
95,000	152,400	75,00	62,00	25,00	6,50	12,50	6,00	158,40	110	8	2,50	4,625	206	20	5115	1630	4400	131095 / 131152XH	
95,000	158,750	75,00	62,00	25,00	6,50	12,50	6,00	164,75	110	8	2,50	4,745	206	20	5115	1630	4400	131095 / 131158XH	
95,000	170,000	106,00	89,00	37,50	8,50	15,50	7,00	177,00	114	8	2,50	8,545	246	18	10640	2630	4200	210095 / 210170H	
97,000	150,000	75,00	62,00	25,00	6,50	12,50	6,00	156,00	110	8	2,50	4,745	206	20	5115	1630	4400	131097 / 131150H	
97,000	152,400	75,00	62,00	25,00	6,50	12,50	6,00	158,40	110	8	2,50	4,465	206	20	5115	1630	4400	131097 / 131152XH	
97,000	158,750	75,00	62,00	25,00	6,50	12,50	6,00	164,75	110	8	2,50	4,745	206	20	5115	1630	4400	131097 / 131158XH	
98,425	152,400	92,00	75,80	30,90	8,10	15,10	7,00	159,40	114	9	2,50	5,150	230	17	7275	1785	4300	160098X / 160152XH	
98,425	158,750	92,00	75,80	30,90	8,10	15,10	7,00	164,75	114	9	2,50	5,150	230	17	7275	1785	4300	160098X / 160158XH	
98,425	160,000	92,00	75,80	30,90	8,10	15,10	7,00	167,00	114	9	2,50	5,150	230	17	7275	1785	4300	160098X / 160160H	
98,425	161,925	92,00	75,80	30,90	8,10	15,10	7,00	168,90	114	9	2,50	5,150	230	17	7275	1785	4300	160098X / 160161XH	
100,000	170,000	100,00	84,00	35,00	8,00	15,00	7,00	177,00	125	10	2,50	9,520	254	19	9100	2240	3900	180100 / 180170H	
100,000	180,000	100,00	84,00	35,00	8,00	15,00	7,00	187,00	125	10	2,50	9,420	254	19	9100	2240	3900	180100 / 180180H	
100,000	180,975	100,00	84,00	35,00	8,00	15,00	7,00	188,00	125	10	2,50	9,520	254	19	9100	2240	3900	180100 / 180180XH	
100,000	190,000	100,00	84,00	35,00	8,00	15,00	7,00	197,00	125	10	2,50	11,120	254	19	9100	2240	3900	180100 / 180190H	
101,600	165,100	87,00	67,96	27,63	9,52	15,87	6,35	171,45	128	8	3,00	9,400	252	23	6595	1990	3900	141101X / 141165XH	
101,600	170,000	100,00	84,00	35,00	8,00	15,00	7,00	177,00	125	10	2,50	9,520	254	19	9100	2240	3900	180101X / 180170H	
101,600	180,000	100,00	84,00	35,00	8,00	15,00	7,00	188,00	125	10	2,50	9,520	254	19	9100	2240	3900	180101X / 180180H	
101,600	180,975	100,00	84,00	35,00	8,00	15,00	7,00	188,00	125	10	2,50	9,520	254	19	9100	2240	3900	180101X / 180180XH	
101,600	190,000	100,00	84,00	35,00	8,00	15,00	7,00	197,00	125	10	2,50	11,080	254	19	9100	2240	3900	180101X / 180190H	
105,000	170,000	100,00	84,00	35,00	8,00	15,00	7,00	177,00	125	10	2,50	9,520	254	19	9100	2240	3900	180105 / 180170H	

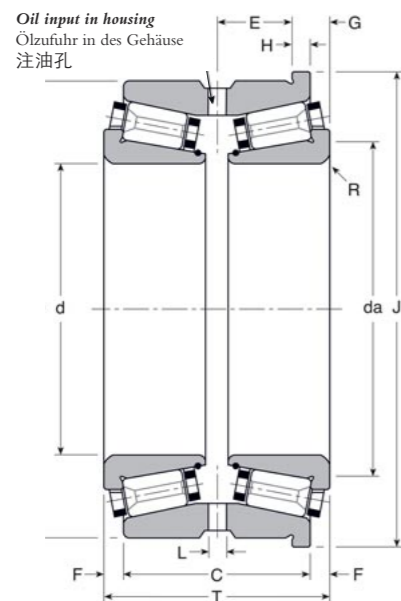
Important note: For double row bearings the bore of the rear cone (marked 'B' track) is 0,002 to 0,004 mm larger than the 'A' track cone bore. This reduces the level of tight fit to facilitate adjustment of the bearing.

Wichtiger Hinweis: Bei zweireihigen Lagern ist die Bohrung des hinteren Innenrings (Markierung 'B'-Laufbahn) 0,002 bis 0,004mm grösser als die Bohrung der 'A'-Laufbahn. Dies erweitert den Sitz der Passung und erleichtert das Einstellen des Lagers.

注意事项
双列轴承的后锥环的内径(标注'B')比标注'A'的锥环内径大0.002至0.004毫米。它降低了配合紧密度,便于轴承的调节。

FLANGED CUP (H TYPE)
AUSSENRING MIT BUND (TYP H)
法兰杯 (H型)

FLANGED CUP (H TYPE)
AUSSENRING MIT BUND (TYP H)
法兰杯 (H型)



- da - Recommended shaft abutment diameter
empfohlener Durchmesser des Wellen-Widerlagers
推荐的轴肩直径
- L - 6 equally spaced holes (diameter)
6 Bohrungen am Umfang
6个等间距孔(直径)
- ‡ - Static Stiffness
Statische Steifigkeit
静刚度
- * - Basic Rating 10,000hrs@500rpm
Belastung 10,000h@500U/min
基本额定寿命10000 hrs @500rpm

Manufacturing Tolerances
Fertigungstoleranzen
制造公差

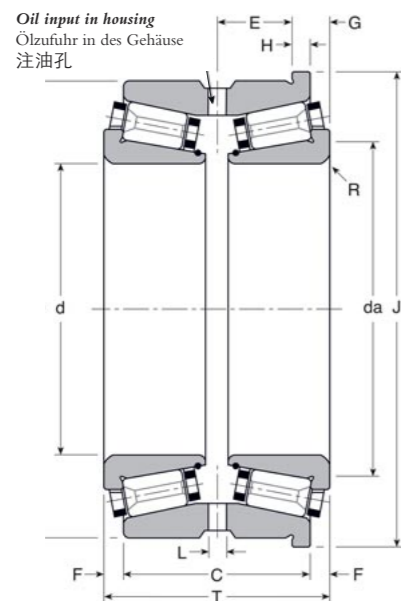
	d ≤ 180mm	d > 180mm
Bore 孔 d	+0,005 0	+0,010 0
Diameter 直径 D	+0,005 0	+0,010 0
Width 宽度 G	±0,25	±0,25
Overall width 总宽度 T	±0,50	±0,50
Flange diameter 法兰直径 J	0 -0,10	0 -0,10
Flange width 法兰宽度 H	±0,05	±0,05

d	D	T	C	E	F	G	H	J	da	L	R	Weight Gew. 重量 kg	‡		*		Speed rpm Drehzahl U/min 转速 rpm max	Bearing Number Kurzzeichen 轴承编号	
													daN/μ		daN			Cone Innenring 内圈	Cup Ausseiring 外圈
													Rad.	Axi.	Rad.	Axi.			
105,000	180,000	100,00	84,00	35,00	8,00	15,00	7,00	188,00	125	10	2,50	9,520	254	19	9100	2240	3900	180105 / 180180H	
105,000	180,975	100,00	84,00	35,00	8,00	15,00	7,00	188,00	125	10	2,50	9,060	254	19	9100	2240	3900	180105 / 180180XH	
105,000	190,000	100,00	84,00	35,00	8,00	15,00	7,00	197,00	125	10	2,50	10,620	254	19	9100	2240	3900	180105 / 180190H	
107,950	165,100	87,00	67,96	27,63	9,52	15,87	6,35	171,45	128	8	3,00	9,400	252	23	6595	1990	3900	141107X / 141165XHS	
111,125	180,975	108,00	82,60	33,36	12,70	20,64	7,94	188,90	136	10	3,50	8,600	266	22	9425	2495	3600	181111X / 181180XH	
111,125	190,000	108,00	82,60	33,36	12,70	20,64	7,94	198,00	136	10	3,50	10,100	266	22	9425	2495	3600	181111X / 181190H	
111,125	190,500	108,00	82,60	33,36	12,70	20,64	7,94	198,43	136	10	3,50	10,400	266	22	9425	2495	3600	181111X / 181190XH	
111,125	200,025	108,00	82,60	33,36	12,70	20,64	7,94	208,00	136	10	3,50	8,600	266	22	9425	2495	3600	181111X / 181200XH	
115,000	165,000	65,00	55,00	23,00	5,00	9,50	4,50	169,50	136	9	2,50	3,450	278	22	4920	1205	3900	105115 / 105165	
115,000	180,975	108,00	82,60	33,36	12,70	20,64	7,94	188,90	136	10	3,50	8,100	266	22	9425	2495	3600	181115 / 181180XH	
115,000	190,000	108,00	82,60	33,36	12,70	20,64	7,94	198,00	136	10	3,50	9,600	266	22	9425	2495	3600	181115 / 181190H	
115,000	190,500	108,00	82,60	33,36	12,70	20,64	7,94	198,43	136	10	3,50	9,900	266	22	9425	2495	3600	181115 / 181190XH	
115,000	200,025	108,00	82,60	33,36	12,70	20,64	7,94	208,00	136	10	3,50	8,600	266	22	9425	2495	3600	181115 / 181200XH	
118,000	180,975	108,00	82,60	33,36	12,70	20,64	7,94	188,90	136	10	3,50	7,680	266	22	9425	2495	3600	181118 / 181180XH	
118,000	190,000	108,00	82,60	33,36	12,70	20,64	7,94	198,00	136	10	3,50	9,180	266	22	9425	2495	3600	181118 / 181190H	
118,000	190,500	108,00	82,60	33,36	12,70	20,64	7,94	198,43	136	10	3,50	9,480	266	22	9425	2495	3600	181118 / 181190XH	
118,000	200,025	108,00	82,60	33,36	12,70	20,64	7,94	208,00	136	10	3,50	8,600	266	22	9425	2495	3600	181118 / 181200XH	
120,000	165,000	65,00	55,00	23,00	5,00	9,50	4,50	169,50	136	9	2,50	3,450	278	22	4920	1205	3900	105120 / 105165H	
120,000	190,000	108,00	82,60	33,36	12,70	20,64	7,94	198,00	142	10	3,50	8,800	280	23	9750	2695	3500	184120 / 184190H	
120,000	190,500	108,00	82,60	33,36	12,70	20,64	7,94	198,50	142	10	3,50	8,800	280	23	9750	2695	3500	184120 / 184190XH	
120,000	199,000	108,00	82,60	33,36	12,70	20,64	7,94	207,00	142	10	3,50	8,800	280	23	9750	2695	3500	184120 / 184199H	
120,000	200,000	108,00	82,60	33,36	12,70	20,64	7,94	208,00	142	10	3,50	8,800	280	23	9750	2695	3500	184120 / 184200H	
127,000	196,850	101,60	85,74	35,72	7,93	15,08	7,15	204,00	152	10	3,00	9,200	298	28	8770	2735	3400	164127X / 164196XH	
127,000	200,025	101,60	85,74	35,72	7,93	15,08	7,15	207,18	152	10	3,00	9,200	298	28	8770	2735	3400	164127X / 164200XH	
127,000	215,000	110,00	92,00	38,00	9,00	17,00	8,00	224,00	155	10	2,50	13,900	304	23	12065	2965	3100	200127X / 200215H	
127,000	215,900	110,00	92,00	38,00	9,00	17,00	8,00	224,00	155	10	2,50	13,900	304	23	12065	2965	3100	200127X / 200215XH	
133,350	196,850	101,60	85,74	35,72	7,93	15,08	7,15	204,00	152	10	3,00	9,200	298	28	8770	2735	3400	164133X / 164196XH	
133,350	196,850	92,60	76,74	28,22	7,93	18,08	10,15	204,00	152	10	3,00	8,500	298	28	8770	2735	3400	164133X / 164196XHS	
133,350	200,025	101,60	85,74	35,72	7,93	15,08	7,15	207,18	152	10	3,00	9,200	298	28	8770	2735	3400	164133X / 164200XH	
133,350	215,000	110,00	92,00	38,00	9,00	17,00	8,00	224,00	155	10	2,50	13,900	304	23	12065	2965	3100	200133X / 200215H	
133,350	215,900	110,00	92,00	38,00	9,00	17,00	8,00	224,00	155	10	2,50	12,850	304	23	12065	2965	3100	200133X / 200215XH	
136,525	215,000	110,00	92,00	38,00	9,00	17,00	8,00	224,00	155	10	2,50	13,900	304	23	12065	2965	3100	200136X / 200215H	
136,525	215,900	110,00	92,00	38,00	9,00	17,00	8,00	224,00	155	10	2,50	12,330	304	23	12065	2965	3100	200136X / 200215XH	
139,700	215,000	110,00	92,00	38,00	9,00	17,00	8,00	224,00	155	10	2,50	13,900	304	23	12065	2965	3100	200139X / 200215H	
139,700	215,900	110,00	92,00	38,00	9,00	17,00	8,00	224,00	155	10	2,50	13,900	304	23	12065	2965	3100	200139X / 200215XH	
139,700	241,300	126,00	104,00	42,00	11,00	21,00	10,00	251,00	170	12	2,50	20,485	342	26	16410	4060	2900	240139X / 240241XH	
140,000	200,000	92,30	78,00	33,45	7,15	12,70	5,55	205,50	158	10	3,00	10,000	310	31	9010	2940	3100	161140 / 161200HS	
140,000	200,025	92,30	78,00	33,45	7,15	12,70	5,55	205,50	158	10	3,00	10,000	310	31	9010	2940	3100	161140 / 161200XHS	
142,875	200,000	92,30	78,00	33,45	7,15	12,70	5,55	205,50	158	10	3,00	10,000	310	31	9010	2940	3100	161142X / 161200HS	
142,875	200,025	92,30	78,00	33,45	7,15	12,70	5,55	205,50	158	10	3,00	10,000	310	31	9010	2940	3100	161142X / 161200XHS	
145,000	241,300	126,00	104,00	42,00	11,00	21,00	10,00	251,00	170	12	2,50	19,405	342	26	16410	4060	2900	240145 / 240241XH	
145,000	256,000	110,00	92,00	38,00	9,00	17,00	8,00	243,00	182	12	3,00	14,870	346	30	13365	3605	2700	203145 / 203256H	
149,225	241,300	126,00	104,00	42,00	11,00	21,00	10,00	251,00	170	12	2,50	20,485	342	26	16410	4060	2900	240149X / 240241XH	
150,000	210,000	92,00	76,00	31,50	8,00	14,50	6,50	216,50	170	10	3,00	10,200	320	34	9260	3185	3000	163150 / 163210H	
152,400	222,250	105,00	81,20	32,66	11,90	19,84	7,94	230,19	174	12	3,50	11,150	330	32	11050	3575	3000	183152X / 183222XH	
152,400	254,000	155,00	116,90	47,34	19,05	30,16	11,11	265,10	182	12	7,00	25,600	382	28	21450	5280	2600	281152X / 281254XH	
152,400	266,700	155,00	116,90	47,34	19,05	30,16	11,11	277,80	182	12	7,00	25,600	382	28	21450	5280	2600	281152X / 281266XH	
155,575	254,000	155,00	116,90	47,34	19,05	30,16	11,11	265,10	182	12	7,00	25,600	382	28	21450	5280	2600	281155X / 281254XH	
155,575	266,700	155,00	116,90	47,34	19,05	30,16	11,11	277,80	182	12	7,00	25,600	382	28	21450	5280	2600	281155X / 281266XH	
156,000	235,000	110,00	92,00	38,00	9,00	17,00	8,00	243,00	182	12	3,00	14,870	346	30	13365	3605	2700	203156 / 203235H	

Important note: For double row bearings the bore of the rear cone (marked 'B' track) is 0,002 to 0,004 mm larger than the 'A' track cone bore. This reduces the level of tight fit to facilitate adjustment of the bearing.

Wichtiger Hinweis: Bei zweireihigen Lagern ist die Bohrung des hinteren Innenrings (Markierung 'B-Laufbahn') 0,002 bis 0,004mm grösser als die Bohrung der 'A-Laufbahn'. Dies erweitert den Sitz der Passung und erleichtert das Einstellen des Lagers.

注意事项
双列轴承的后锥环的内径(标注'B')比标注'A'的锥环内径大0.002至0.004毫米。它降低了配合紧密度,便于轴承的调节。



- da - Recommended shaft abutment diameter
empfohlener Durchmesser des Wellen-Widerlagers
推荐的轴肩直径
- L - 6 equally spaced holes (diameter)
6 Bohrungen am Umfang
6个等间距孔(直径)
- ‡ - Static Stiffness
Statische Steifigkeit
静刚度
- * - Basic Rating 10,000hrs@500rpm
Belastung 10,000h@500U/min
基本额定寿命10000 hrs @500rpm

Manufacturing Tolerances
Fertigungstoleranzen
制造公差

	d ≤ 180mm	d > 180mm
Bore 孔 d	+0,005 0	+0,010 0
Diameter 直径 D	+0,005 0	+0,010 0
Width 宽度 G	±0,25	±0,25
Overall width 总宽度 T	±0,50	±0,50
Flange diameter 法兰直径 J	0 -0,10	0 -0,10
Flange width 法兰宽度 H	±0,05	±0,05

d	D	T	C	E	F	G	H	J	da	L	R	Weight Gew. 重量 kg	‡		*		Speed rpm Drehzahl U/min 转速 rpm max	Bearing Number Kurzzeichen 轴承编号	
													daN/μ		daN			Cone Innenring 内圈	Cup Ausseiring 外圈
													Rad.	Axi.	Rad.	Axi.			
165,100	254,000	108,00	88,96	37,34	9,52	16,66	7,14	261,14	200	10	3,00	15,000	382	43	12170	4460	2600	186165X / 186254XH	
170,000	254,000	108,00	88,96	37,34	9,52	16,66	7,14	261,14	200	10	3,00	15,000	382	43	12170	4460	2600	186170 / 186254XH	
177,800	227,013	75,00	63,48	25,74	5,76	11,76	6,00	233,00	192	10	1,50	6,150	360	30	6825	1770	2700	115177X / 115227XH	
177,800	254,000	108,00	88,96	37,34	9,52	16,66	7,14	261,14	200	10	3,00	15,000	382	43	12170	4460	2600	186177X / 186254XH	
177,800	288,925	154,00	122,25	50,01	15,88	26,99	11,11	300,03	210	12	7,00	32,600	440	36	23725	6580	2300	280177X / 280288XH	
185,000	258,000	110,00	90,00	37,00	10,00	18,00	8,00	266,00	210	10	3,00	12,300	394	47	12430	4760	2500	187185 / 187258H	
190,000	266,700	113,18	94,14	39,93	9,52	16,66	7,14	273,80	215	10	3,00	15,500	402	40	14685	4695	2400	204190 / 204266XH	
190,500	266,700	113,18	94,14	39,93	9,52	16,66	7,14	273,80	215	10	3,00	15,500	402	40	14685	4695	2400	204190X / 204266XH	
190,500	282,575	120,00	91,42	36,19	14,29	23,81	9,52	292,10	217	12	2,50	20,000	336	31	15925	4645	2300	242190X / 242282XH	
190,500	290,000	114,00	96,00	40,00	9,00	17,00	8,00	298,00	238	12	3,50	17,300	428	47	15400	5360	2200	206190X / 206290H	
203,200	310,000	156,00	121,08	49,43	17,46	28,88	11,11	321,11	240	12	4,40	32,800	480	44	25185	7715	2100	283203X / 283310H	
203,200	317,500	156,00	121,08	49,43	17,46	28,88	11,11	328,61	240	12	4,40	36,300	480	44	25185	7715	2100	283203X / 283317XH	
210,000	290,000	114,00	96,00	40,00	9,00	17,00	8,00	298,00	238	12	3,50	17,300	428	47	15400	5360	2200	206210 / 206290H	
210,000	310,000	156,00	121,08	49,43	17,46	28,88	11,11	321,11	240	12	4,40	32,000	480	44	25185	7715	2100	283210 / 283310H	
210,000	317,500	156,00	121,08	49,43	17,46	28,88	11,11	328,61	240	12	4,40	35,500	480	44	25185	7715	2100	283210 / 283317XH	
215,900	355,600	166,00	124,72	51,25	20,64	31,75	11,11	366,62	270	12	7,00	51,000	536	56	27625	9295	1900	284215X / 284355XH	
228,600	355,600	166,00	124,72	51,25	20,64	31,75	11,11	366,62	270	12	7,00	51,000	536	56	27625	9295	1900	284228X / 284355XH	
230,000	327,025	122,00	90,24	35,60	15,88	25,40	9,52	336,55	265	12	6,00	23,200	416	44	18035	6460	1900	244230 / 244327XH	
230,000	330,000	122,00	90,24	35,60	15,88	25,40	9,52	339,52	265	12	6,00	27,350	416	44	18035	6460	1900	244230 / 244330H	
234,950	327,025	122,00	90,24	35,60	15,88	25,40	9,52	336,55	265	12	6,00	21,000	416	44	18035	6460	1900	244234X / 244327XH	
234,950	330,000	122,00	90,24	35,60	15,88	25,40	9,52	339,52	265	12	6,00	27,000	416	44	18035	6460	1900	244234X / 244330H	
234,950	355,600	166,00	124,72	51,25	20,64	31,75	11,11	366,62	270	12	7,00	48,430	536	56	27625	9295	1900	284234X / 284355XH	
254,000	400,050	146,00	114,24	44,42	15,88	28,58	12,70	412,75	300	12	3,00	55,500	358	28	27625	7230	1700	382254X / 382400XH	
275,000	406,400	176,00	140,00	55,00	18,00	33,00	15,00	421,40	324	12	6,00	67,600	680	56	39000	10400	1600	320275 / 320406XH	
280,194	406,400	176,00	140,00	55,00	18,00	33,00	15,00	421,40	324	12	6,00	64,840	680	56	39000	10400	1600	320280X / 320406XH	
330,200	482,600	200,00	157,73	64,98	20,64	35,02	14,38	496,98	370	12	6,00	105,000	792	78	53625	17140	1400	380330X / 380482XH	
338,138	419,100	94,00	79,00	32,50	7,50	14,50	7,00	426,10	362	12	3,00	30,900	534	55	12215	3815	1500	152338X / 152419XH	
355,600	482,600	145,00	100,55	39,17	22,23	33,34	11,11	493,71	395	12	7,00	58,700	570	86	27625	13240	1400	282355X / 282482XH	
381,000	508,000	187,00	147,00	59,50	20,00	34,00	14,00	522,00	424	12	7,00	80,000	834	71	41890	11340	1300	303381X / 303508XH	
406,400	549,275	200,00	152,36	61,90	23,82	38,10	14,28	563,55	456	12	7,00	98,250	882	100	46635	16950	1200	323406XS / 323549XHS	
431,800	533,400	123,00	100,78	42,45	11,11	19,05	7,94	541,34	465	12	5,00	45,000	642	71	24130	8365	1200	232431X / 232533XH	
457,200	596,900	187,00	147,00	59,50	20,00	34,00	14,00	610,90	505	12	7,00	95,000	982	99	47285	14950	1100	300457X / 300596XH	
506,000	636,000	187,00	147,00	59,50	20,00	34,00	14,00	650,00	555	12	7,00	116,000	1044	115	49325	17060	1000	307506 / 307636H	

Important note: For double row bearings the bore of the rear cone (marked 'B' track) is 0,002 to 0,004 mm larger than the 'A' track cone bore. This reduces the level of tight fit to facilitate adjustment of the bearing.

Wichtiger Hinweis: Bei zweireihigen Lagern ist die Bohrung des hinteren Innenrings (Markierung 'B-Laufbahn') 0,002 bis 0,004mm grösser als die Bohrung der 'A'-Laufbahn. Dies erweitert den Sitz der Passung und erleichtert das Einstellen des Lagers.

注意事项
双列轴承的后锥环的内径(标注'B')比标注'A'的锥环内径大0.002至0.004毫米。它降低了配合紧密度,便于轴承的调节。